

Inductive sensor

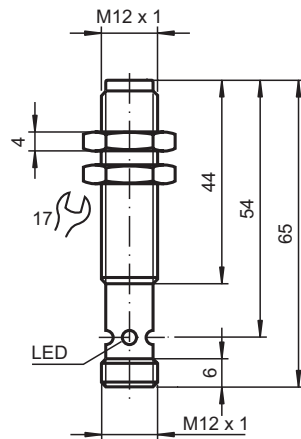
NMB5-12GM65-E2-V1



- 5 mm flush
- Stainless steel sensing face
- Increased operating distance



Dimensions



Technical Data

General specifications

| | | |
|-----------------------------|-------|---|
| Switching function | | Normally open (NO) |
| Output type | | PNP |
| Rated operating distance | s_n | 5 mm |
| Installation | | flush (Requirements: see drawing below) |
| Output polarity | | DC |
| Assured operating distance | s_a | 0 ... 4.05 mm |
| Actuating element | | Ferrous and nonferrous targets |
| Reduction factor r_{Al} | | 0.3 |
| Reduction factor r_{Cu} | | 0.2 |
| Reduction factor r_{304} | | 0.85 |
| Reduction factor r_{St37} | | 1 |
| Output type | | 3-wire |

Nominal ratings

| | | |
|-------------------|-------|----------------|
| Operating voltage | U_B | 10 ... 30 V DC |
|-------------------|-------|----------------|

Release date: 2022-06-22 Date of issue: 2022-06-22 Filename: 9111269_eng.pdf

Refer to "General Notes Relating to Pepperl+Fuchs Product Information".

Pepperl+Fuchs Group
www.pepperl-fuchs.com

USA: +1 330 486 0001
fa-info@us.pepperl-fuchs.com

Germany: +49 621 776 1111
fa-info@de.pepperl-fuchs.com

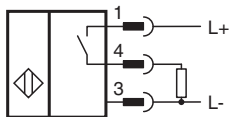
Singapore: +65 6779 9091
fa-info@sg.pepperl-fuchs.com

PEPPERL+FUCHS

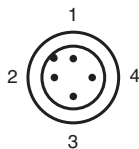
Technical Data

| | | |
|---|-------|--|
| Switching frequency | f | 0 ... 360 Hz |
| Hysteresis | H | 3 ... 15 typ. 5 % |
| Reverse polarity protection | | reverse polarity protected |
| Short-circuit protection | | pulsing |
| Voltage drop | U_d | ≤ 2 V DC |
| Operating current | I_L | ≤ 200 mA |
| Off-state current | I_r | ≤ 10 μ A |
| No-load supply current | I_0 | ≤ 15 mA |
| Operating voltage indicator | | LED, green |
| Switching state indicator | | LED, yellow |
| Functional safety related parameters | | |
| MTTF _d | | 880 a |
| Mission Time (T _M) | | 20 a |
| Diagnostic Coverage (DC) | | 0 % |
| Compliance with standards and directives | | |
| Standard conformity | | |
| Standards | | EN 60947-5-2:2007 IEC 60947-5-2:2007 |
| Approvals and certificates | | |
| UL approval | | cULus Listed, General Purpose |
| CSA approval | | cCSAus Listed, General Purpose |
| CCC approval | | CCC approval / marking not required for products rated ≤ 36 V |
| Ambient conditions | | |
| Ambient temperature | | -25 ... 70 °C (-13 ... 158 °F) |
| Mechanical specifications | | |
| Connection type | | Connector plug M12 x 1 , 4-pin |
| Housing material | | Stainless steel 1.4305 / AISI 303 |
| Sensing face | | Stainless steel 1.4305 / AISI 303 |
| Degree of protection | | IP67 / IP68 / IP69K - cordset dependent according to cable specification |

Connection



Connection Assignment

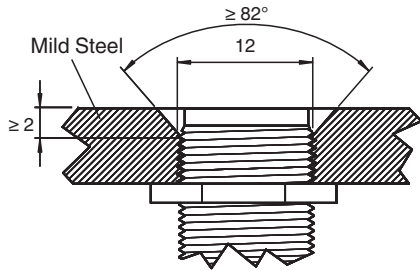


Connection Assignment

Wire colors in accordance with EN 60947-5-2

| | | |
|---|----|---------|
| 1 | BN | (brown) |
| 2 | WH | (white) |
| 3 | BU | (blue) |
| 4 | BK | (black) |

Mounting



Sensor face is flush with mounting surface.

Accessories

| | | |
|--|--------------------|---|
| | V1-G-2M-PUR | Female cordset single-ended M12 straight A-coded, 4-pin, PUR cable grey |
| | V1-W-2M-PUR | Female cordset single-ended M12 angled A-coded, 4-pin, PUR cable grey |
| | AB-12 | Mounting aid |

Release date: 2022-06-22 Date of issue: 2022-06-22 Filename: 9111269_eng.pdf

Refer to "General Notes Relating to Pepperl+Fuchs Product Information".

Pepperl+Fuchs Group
www.pepperl-fuchs.com

USA: +1 330 486 0001
fa-info@us.pepperl-fuchs.com

Germany: +49 621 776 1111
fa-info@de.pepperl-fuchs.com

Singapore: +65 6779 9091
fa-info@sg.pepperl-fuchs.com